

# Water Treatment



## ATHENA BL

### ELECTROMAGNETIC DOSING PUMPS



## Main characteristics

- PVDF PUMP HEAD suitable for chemicals used in Industrial, Waste Water Treatment and Potable Water applications
- CERAMIC BALL. Full chemical compatibility
- PTFE DIAPHRAGM unique life expectancy and compatibility with most chemicals
- STEADY DOSING Stabilized Multi Power Supply 100÷240 Vac 50/60 Hz with reduced consumption
- QUICK CONNECTIONS
- MANUAL PRIMING VALVE
- IP65 PROTECTION
- ADJUSTABLE FLOW RATE by a knob on the Front Panel
- POWER-ON and LEVEL ALARM LED
- Analogue with constant flow
- 0÷20%, 0÷100% double manual flow regulation
- Level probe predisposition with quick connection
- Anti-seepage system

# Water Treatment

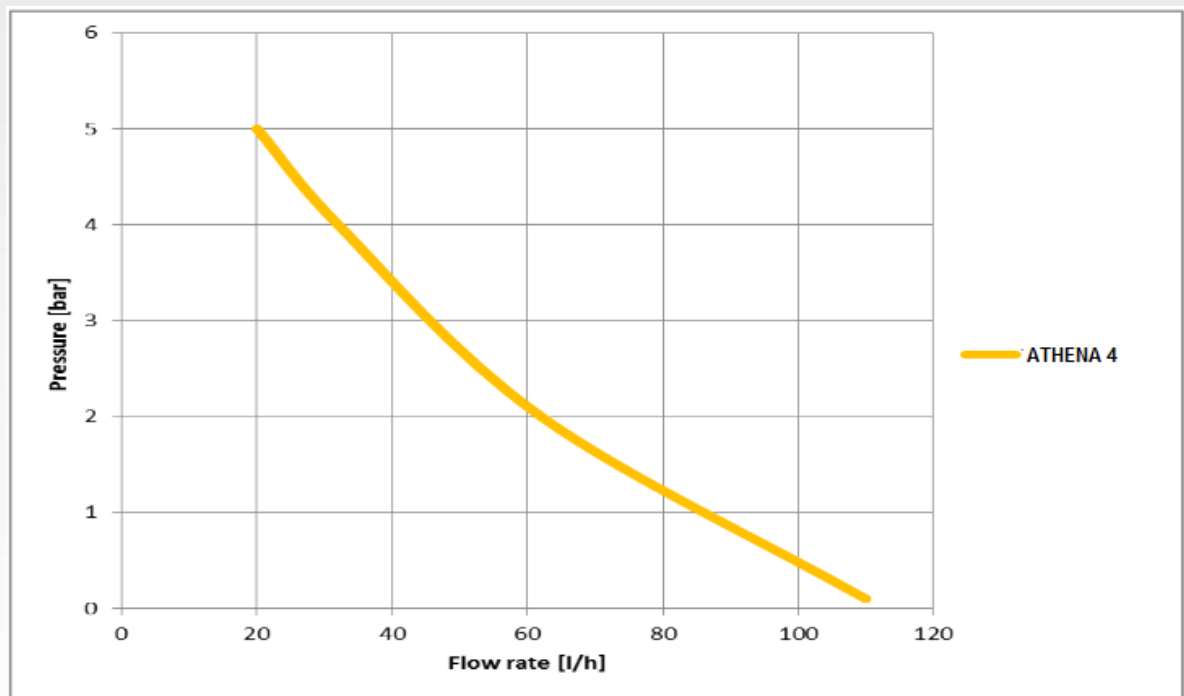
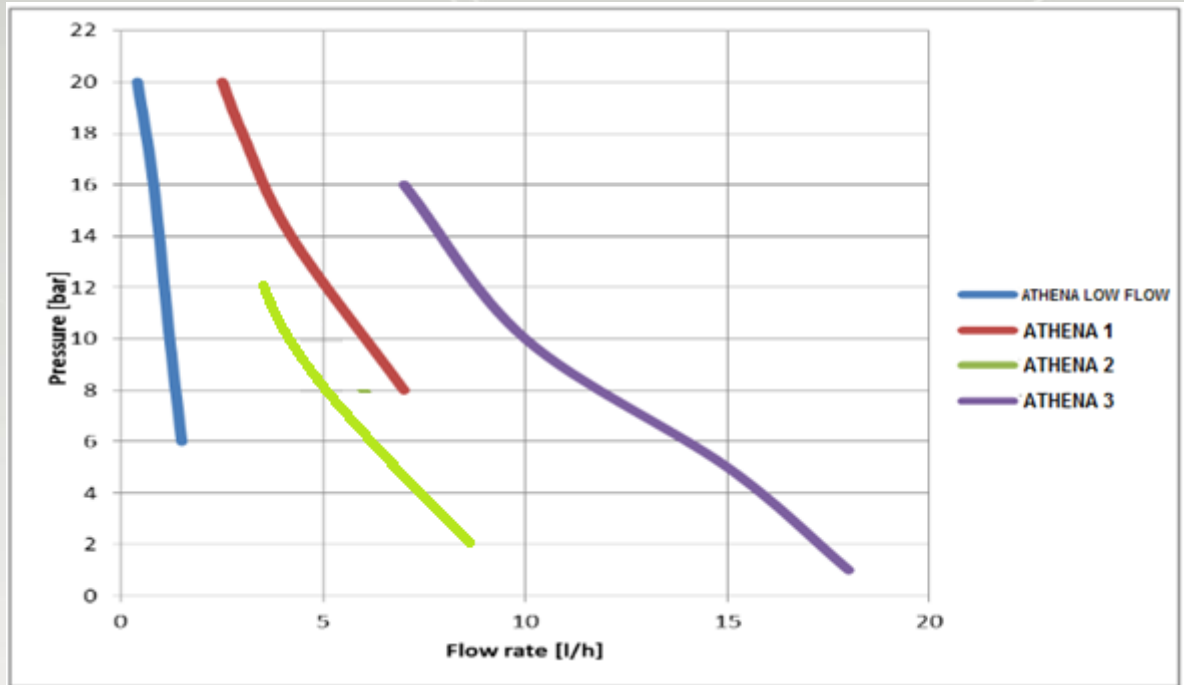


## Athena – Performance data

PERFORMANCES TEST HAS BEEN DONE AT AMBIENT TEMPERATURE, WITH WATER, AT 1,5 mt SUCTION HEIGHT

| FLOW RATES | PRESSURES | CC/IMP. | CONNECTIONS | STROKES/MIN. | CONSUMPTION | WEIGHT | MODEL                  |
|------------|-----------|---------|-------------|--------------|-------------|--------|------------------------|
| 0,4 l/h    | 20 bar    | 0,06    | 4x6 - 4x7   | 120          | 14 watt     | 3 kg   | <b>Athena low flow</b> |
| 0,8 l/h    | 16 bar    | 0,11    | 4x6 - 4x7   | 120          | 14 watt     | 3 kg   |                        |
| 1,2 l/h    | 10 bar    | 0,16    | 4x6 - 4x7   | 120          | 14 watt     | 3 kg   |                        |
| 1,5 l/h    | 6 bar     | 0,21    | 4x6 - 4x7   | 120          | 14 watt     | 3 kg   |                        |
| 2,5 l/h    | 20 bar    | 0,35    | 4x6 - 4x7   | 120          | 14 watt     | 3 kg   | <b>Athena 1</b>        |
| 3 l/h      | 18 bar    | 0,42    | 4x6 - 4x7   | 120          | 14 watt     | 3 kg   |                        |
| 4,2 l/h    | 14 bar    | 0,58    | 4x6 - 4x7   | 120          | 14 watt     | 3 kg   |                        |
| 7 l/h      | 8 bar     | 0,97    | 4x6 - 4x7   | 120          | 14 watt     | 3 kg   |                        |
| 3 l/h      | 12 bar    | 0,31    | 4x6         | 160          | 20 watt     | 3 kg   | <b>Athena 2</b>        |
| 4 l/h      | 10 bar    | 0,42    | 4x6         | 160          | 20 watt     | 3 kg   |                        |
| 5 l/h      | 8 bar     | 0,52    | 4x6         | 160          | 20 watt     | 3 kg   |                        |
| 8 l/h      | 2 bar     | 0,83    | 4x6         | 160          | 20 watt     | 3 kg   |                        |
| 7 l/h      | 16 bar    | 0,39    | 4x6         | 300          | 40 watt     | 4 kg   | <b>Athena 3</b>        |
| 10 l/h     | 10 bar    | 0,56    | 4x6         | 300          | 40 watt     | 4 kg   |                        |
| 15 l/h     | 5 bar     | 0,83    | 4x6         | 300          | 40 watt     | 4 kg   |                        |
| 18 l/h     | 1 bar     | 1,00    | 4x6         | 300          | 40 watt     | 4 kg   |                        |
| 20 l/h     | 5 bar     | 1,11    | 8x12        | 300          | 40 watt     | 4 kg   | <b>Athena 4</b>        |
| 32 l/h     | 4 bar     | 1,78    | 8x12        | 300          | 40 watt     | 4 kg   |                        |
| 62 l/h     | 2 bar     | 3,44    | 8x12        | 300          | 40 watt     | 4 kg   |                        |
| 110 l/h    | 0,1 bar   | 6,11    | 8x12        | 300          | 40 watt     | 4 kg   |                        |

# Water Treatment



# Water Treatment

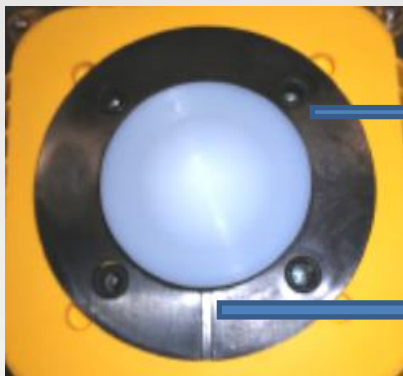


## Anti-seepage system

The anti-seepage system, is a solution to prevent the intrusion of chemical product inside the pump: leakage and chemical intrusion can happen when the O-ring is damaged or consumed by regular use.

This device is integrated in the hydraulic part, between pump head and body, behind the diaphragm: the outgoing collection channel of the anti-seepage device (see below blue arrow) collects the leakage and expel it out.

When the leakage is visible, the operator can proceed either tightening the 4 bolts of the head (4Nm torque) or disassembling the head and inspect it in order to understand leakage causes .



Anti-seepage device

Collection channel

# Water Treatment



## Main applications

- Electroplating industry, Pickling, Degreasing and metal treatment
- Cooling Tower
- Potable water
- Reverse osmosis
- Paper industry
- Ceramic industry

## Example of installation



# Water Treatment



## Installation kit



## Accessories

| AC.VSA (ATHENA.1 .2 .3) |   |
|-------------------------|---|
|                         | <ul style="list-style-type: none"> <li>• PvdF Pump head with automatic bleed valve</li> <li>• Flow reduction, according to the quantity of air in the liquid</li> </ul> |

| AC.VM PVDF |   |
|------------|---|
|            | <ul style="list-style-type: none"> <li>• Multifunction valve, anti-syphon, backpressure, safety</li> <li>• PVDF body, PTFE membrane</li> <li>• Adjustable Pressure 0-5 bar</li> <li>• Relief Pressure 0-18 bar</li> </ul> |

| AC.SF |  |
|-------|--|
|       | <ul style="list-style-type: none"> <li>• PVC Flow sensor</li> <li>• FPM Seals</li> <li>• 4x6 / 8x12 connections</li> </ul> |

| AC.SL |   |
|-------|---|
|       | <ul style="list-style-type: none"> <li>• Floating level probe with bipolar cable (2 mt) with support</li> </ul> |

| AC.ST |  |
|-------|--|
|       | <ul style="list-style-type: none"> <li>• Horizontal base mounting bracket</li> </ul> |

| PRIMING AID |  |
|-------------|--|
|             | <ul style="list-style-type: none"> <li>• Capacity: 300 ml</li> <li>• PVC body</li> <li>• FPM seals</li> <li>• Connections: 4x6mm – 8x12mm</li> </ul> |

| AC.VIE |  |
|--------|--|
|        | <ul style="list-style-type: none"> <li>• Extractable injection valve with ball valve PVC 1/2" g.m. IN - 1/2" g.m. OUT</li> </ul> |
|        | <ul style="list-style-type: none"> <li>• Extractable injection valve PVC 1/2" g.m. IN - 1/2" g.m. OUT</li> </ul>                 |

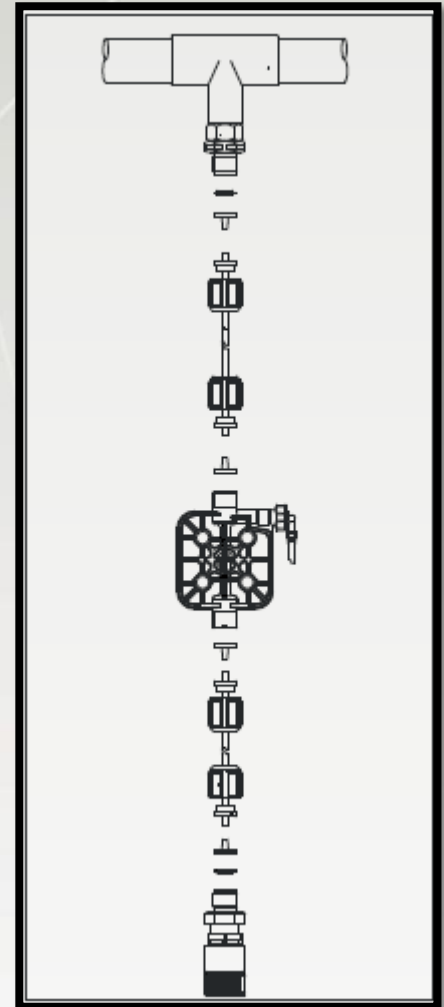
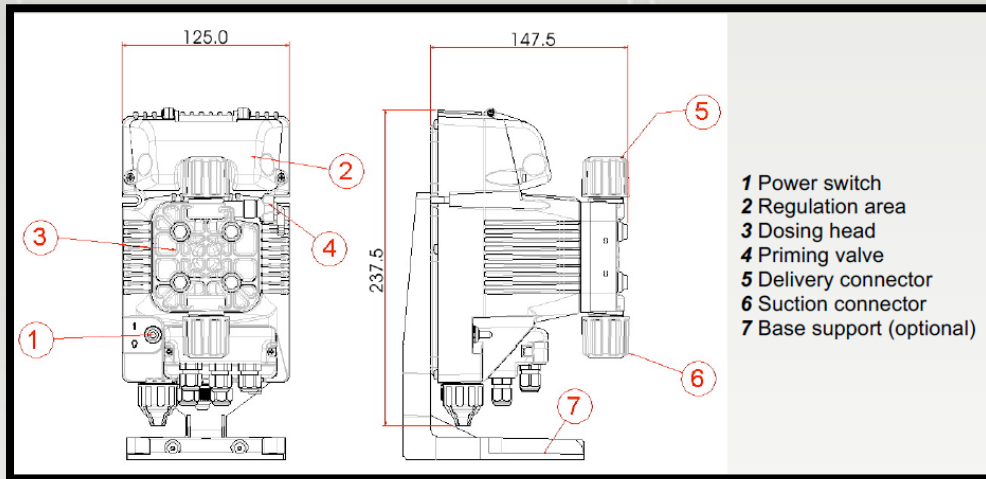
| AC.VS |  |
|-------|--|
|       | <ul style="list-style-type: none"> <li>• Back-pressure valve up to 10 bar</li> <li>• PTFE diaphragm</li> </ul> |

# Water Treatment



Dimensional drawings

Plumbing



Fixing templates

