

Water Treatment



Chlorine.Meter

MULTIFUNCTIONAL INDUSTRIAL CHLORINE METER



Main characteristics

- Output relays configurable as set-point, the maximum alarms, low alarms, PWM proportional control over time, PFM proportional pulses regulation, SELFCLEANING
- Possibility of having low voltage output 24V, piloting of small metering or the solenoid valves without the addition of other processors and with safety voltage
- Galvanic isolation between inputs / microprocessor and current outputs
- Input to turn off relay control and stop the cycle of the colorimeter, FLW eventual input to control the water flow, OK output to signal to the proper functioning
- Views: Alarms and errors (diagnostics), date / time also without power and ability to enable / disable the operation of the colorimeter in predetermined time slots
- Saving program / calibration data in non-volatile memory
- RS232C serial output for dialogue / programming with PC, PLC available on Cannon 0 Pins connector or terminal block on request

Water Treatment



Technical features

- **OUTPUT RELAY AS SET POINTS, MAXIMUM AND MINIMUM ALARMS, PWM Proportional Regulating of the Time, PFM Proportional Pulse Regulation, SELF-CLEANING**
- **IT IS POSSIBLE TO HAVE LOW VOLTAGE 24V** enabling the Monitoring of Smaller Doses with Solenoid Valves and without the addition of other Transformer, with a Security Power Supply
- **GALVANIC SEPARATION BETWEEN MICROPROCESSOR / INLETS AND CURRENT OUTLETS**
- **OFF INLET** to switch off the Regulation Relay and to Stop the Colorimeter Cycle, Possible **FLW INPUT** to control the water flow in the instrument, **“OK” OUTPUT** Remotely Controls the Correct Instrumentation Function
- Visualization: **ALARMS / ERRORS (Diagnostic), DATE / HOUR** (always present, also without Power Supply), with the possibility to **START/STOP THE COLORIMETER FUNCTION** pre-set hours (i.e. nighttime)
- **PROGRAMMING & CALIBRATION SAVED IN MEMORY**
- **RS232C SERIAL OUTPUT FOR PC, PLC Connector Available on CANNON 9 Connection or Terminal Block**

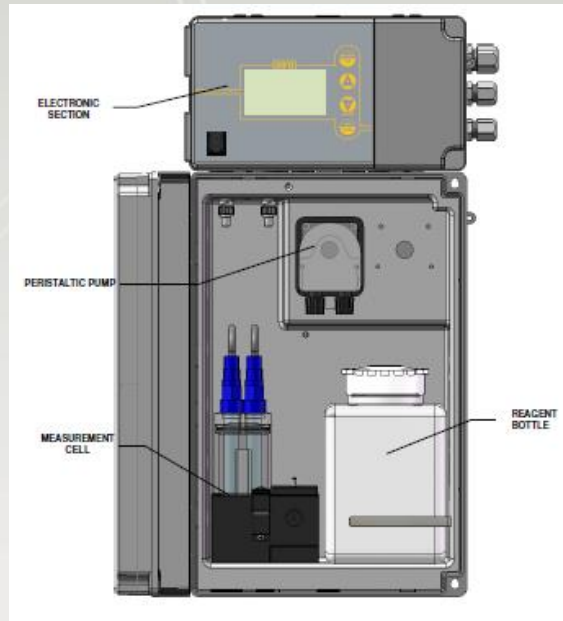
Installation kit



Water Treatment

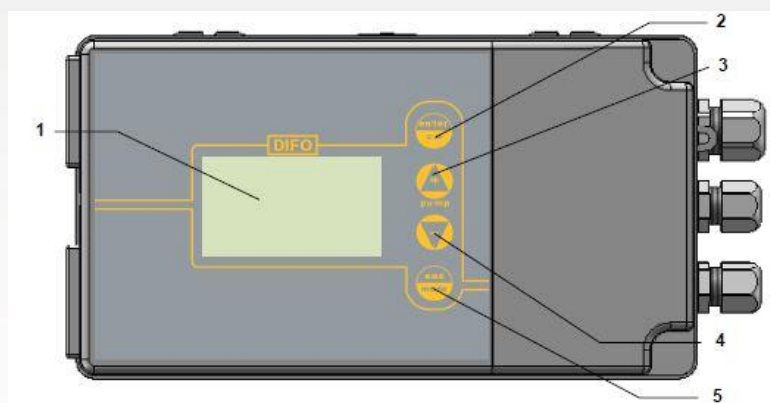


Inside view



Controls, indicators and connections

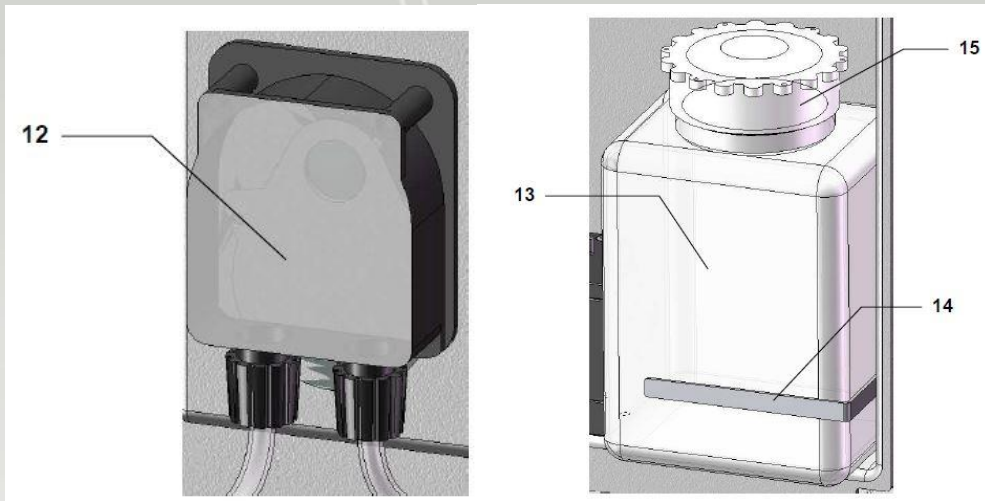
The following figures illustrate the main modules, controls, indicators, and the most significant parts that make up the unit DIFO



- 1-LCD Display
- 2-Button ENTER / CAL
- 3-Key UP
- 4-Button DOWN / PUMP
- 5- ESC / MODE Button

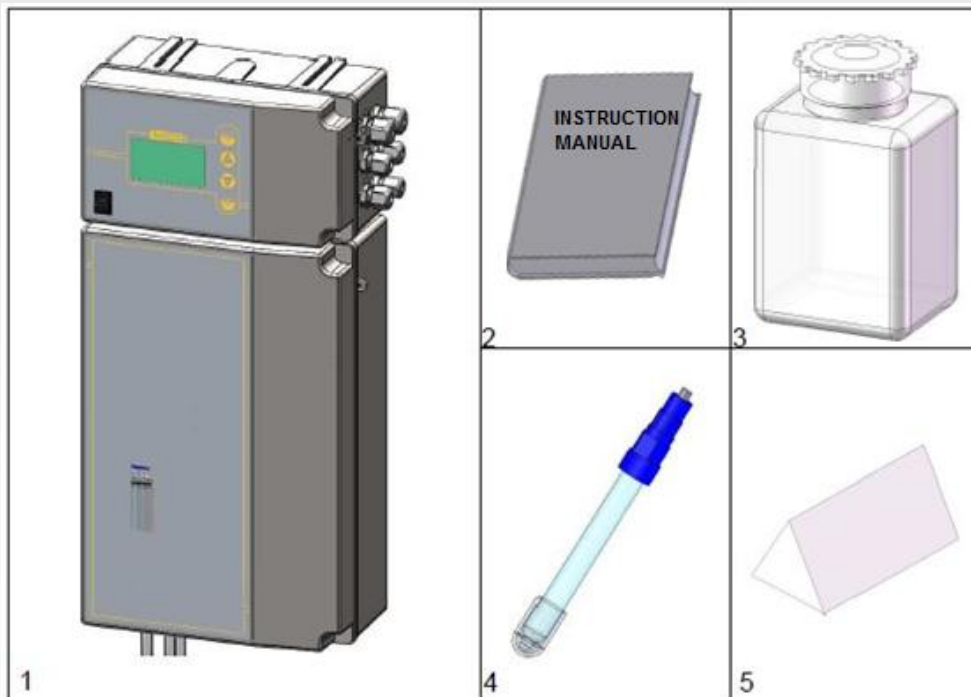
Figure 1 - Electronic panel

Water Treatment



- 12. Peristaltic pump
- 13. DPD Reagent bottle
- 14. AISI 316 DPD Bottle Holder
- 15. Reagent bottle cap

Installation kit



- 1. 1 unit DIFO
- 2. 1 Technical Manual
- 3. 1 bottle of reagent for analysis DPD
- 4. 1 pH electrode
- 5. 1 magnetic anchor