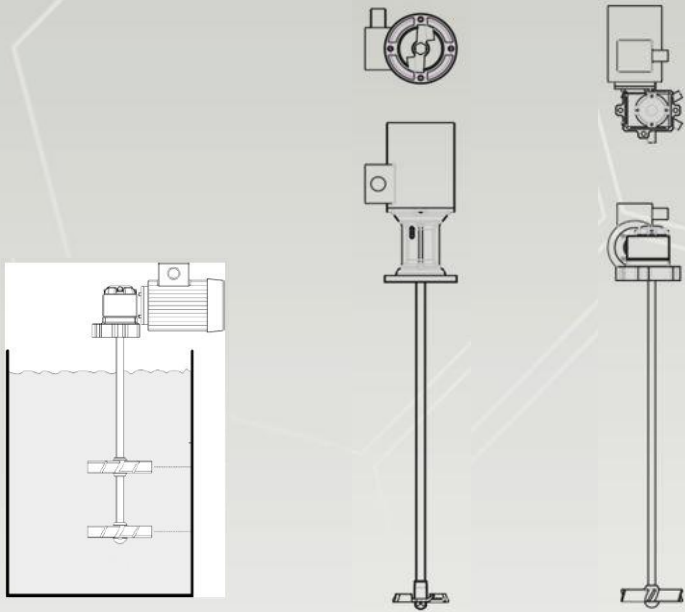


Water Treatment



		3-fasi		1fase
Hz		50	60	50
Vac		230	276	230
		400	480	
Hp		0.16	0.19	0.16
kW		0.12	0.14	0.12
rpm		1360	1630	1400
A		0.76		1.0
		0.44		

MECHANICAL CHARACTERISTICS

	FAST MIXER	SLOW MIXER
motor	Single phase / 3phases – IP55 0.12 kW – 4 poles as standard <i>Other motor powers available on request</i>	
gear	<i>Reduction ratio:</i> 1:7 (200 rpm – 4 poles motor) 1:20 (70 rpm – 4 poles motor) <i>Other reduction ratio available on request</i>	
shaft	<i>Material:</i> PVC / AISI 316L / PVDF	<i>length [mm]:</i> 600 / 800 / 900 / 1100

MAX TANK VOLUME SELECTION TABLE

Process	Series		
	MFast	FSlow	
simple mixing	5 m ³ /h	70 m ³ /h	
reagent preparation	3 m ³ /h	30 m ³ /h	
neutralization	2 m ³ /h	20 m ³ /h	
Sludge suspension	50÷80 g/l	1.7 m ³ /h	15 m ³ /h
lime	0÷100 g/l	1.5 m ³ /h	15 m ³ /h
	100÷200 g/l	-----	15 m ³ /h
Polyelectrolyte	0÷10 g/l	-----	15 m ³ /h

